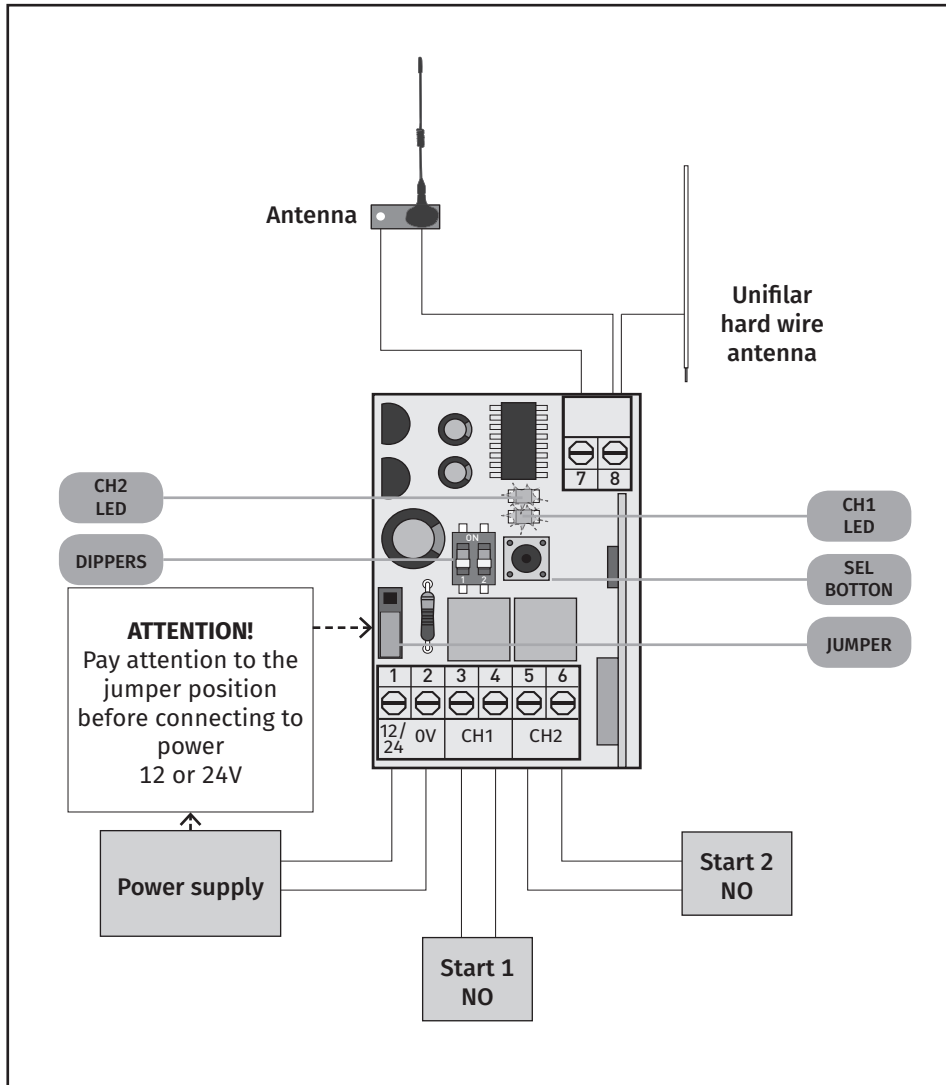


CONNECTIONS SCHEME

The MR5 – MR6 dual channel radio receiver allows to control electric and electronic devices when coupled with one or more transmitters.



TECHNICAL SPECIFICATIONS

• CONNECTOR'S DESCRIPTION

- 01 • 12-24V AC/DC Power supply
- 02 • 0V Power supply
- 03 • CH1 contact output - NO
- 04 • CH1 contact output - NO
- 05 • CH2 Contact output - NO
- 06 • CH2 Contact output - NO
- 07 • Antenna mass input
- 08 • Antenna hot pole input

• CHARACTERISTICS BOARD

• Frequency	433,92 MHz
• Power supply	12-24Vac/Vdc
• Maximum consumption	5W
• Code type	12-18-32 Bit or Rolling Code
• Code memorization (CH1 + CH2)	500 Max
• Relay	30V DC 1A
• Temperature	-25°C to 55°C
• Dimensions	53x82x40mm
• Range in open space	50-100m
• Protection Grade	MR5 - IP 42 MR6 - IP 54

• JUMPERS

By selecting Jumper J1 position, you can select the power supply voltage:

POSITION	VOLTAGE
Pos. 1-2	12V AC/DC.
Pos. 2-3	24V AC/DC (from factory).

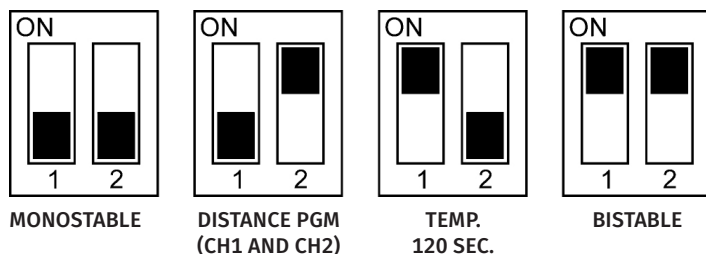
TECHNICAL SPECIFICATIONS

• CH1 (CHANNEL 1) AND CH2 (CHANNEL 2) OPERATING TYPE

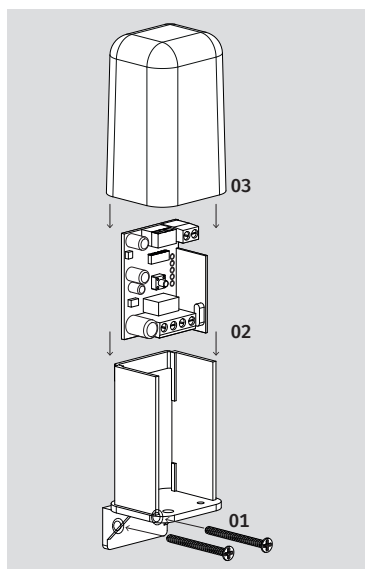
The receiver can manage the two channels individually and also allows to have different functioning modes:

Channel CH1: monostable functioning only with possibility of activation of Distance Programming.

Channel CH2: by selecting SW1 Switch, it is possible to select the following functioning modes for channel CH2 (Distance programming mode, and monostable mode).



RECEIVER INSTALLATION



It is very important to choose the place of installation carefully in order for the transmitter and the receiver to function well. Capacity is not only conditioned by the technical features of the device, but also varies depending on the radio-electric conditions of the place.

The receiver is provided with a local antenna. If you choose an external antenna (for MR5), it should be positioned on the outside, in highly visible spots and away from metal structures.

You can not install two receivers if not respected a minimum distance of 5 meters between them.

Installation:

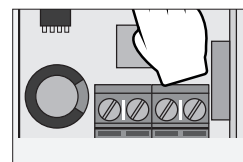
- 01 • Fix the support on the wall.
- 02 • Place the board on the support, sliding it between the existing support ledges.
- 03 • Place the cover to close.

PROGRAMMING

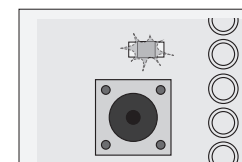
• TRANSMITTER PROGRAMMING

The programming of radio-controls must be performed with no antenna connected, up to a maximum of 500 codes. When the memory is full, the CH1 and CH2 LEDs will flash quickly.

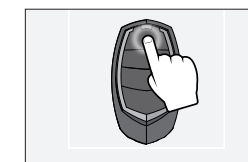
Programming transmitter in channel "CH1" and "CH2":



01 • Press once the SEL button.



02 • The CH1 LED will start to flash.

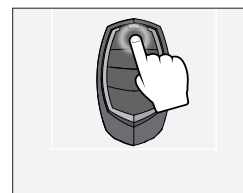


03 • Send a code from the transmitter to program.

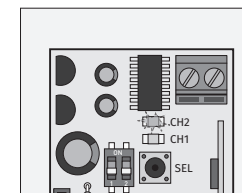
When the Led remains permanently lit, the CH1 channel programming is complete. To program CH2 you just need to, in step 1, press twice in SEL button.

• DISTANCE PROGRAMMING

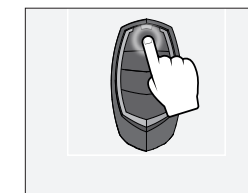
The distance programming of radio controls is obtained by selecting Dip Switch SW1 in distance PGM mode. In this way the receiver allows programming of the transmission code, without using directly the SEL key.



01 • Continuously send the code for 10 sec with an already programmed transmitter.



02 • The receiver goes into programming mode.



03 • Send a code from the transmitter to program.

• CONTROL BOARD RESET

If the receiver must be restored to factory configuration, press the SEL key continuously for 5 seconds. The CODE CH1 and CODE CH2 LEDs will flash three times quickly and then switch-off indicating the operation's success.